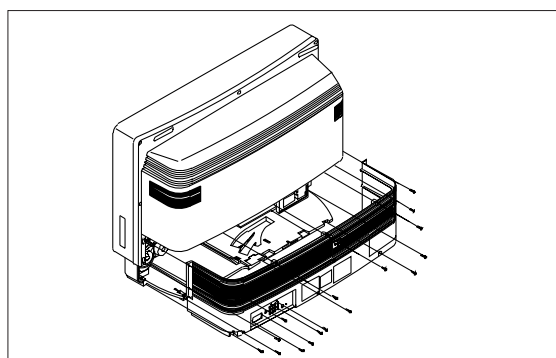
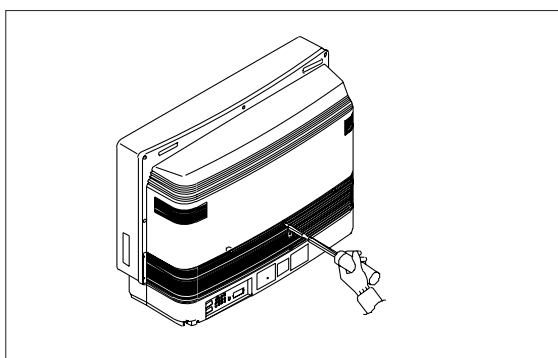


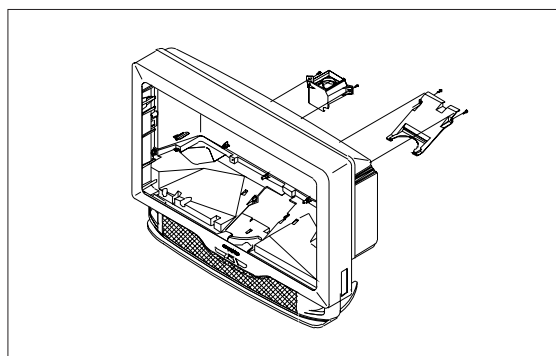
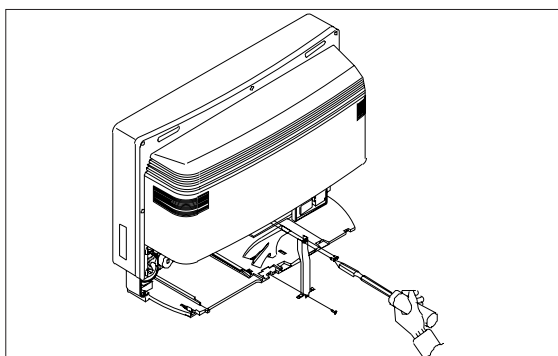
4. Disassembly and Reassembly

4-1 Back Cover Removal

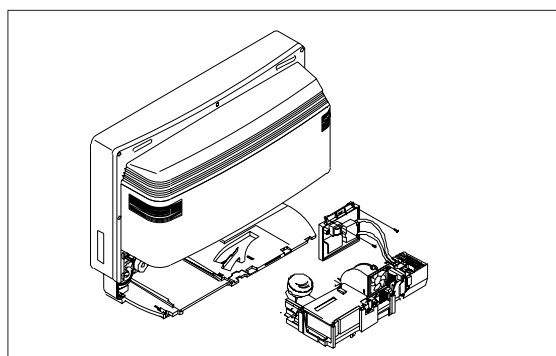
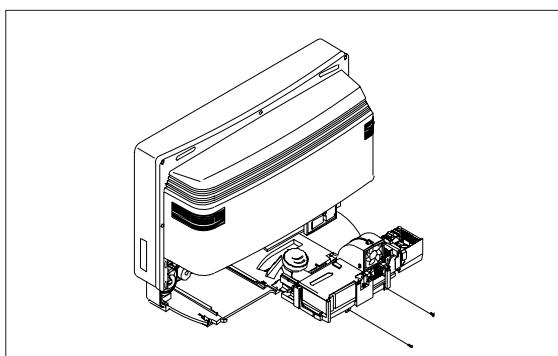
1. After removing the 16 screws, pull the bottom part of the cabinet back wards.



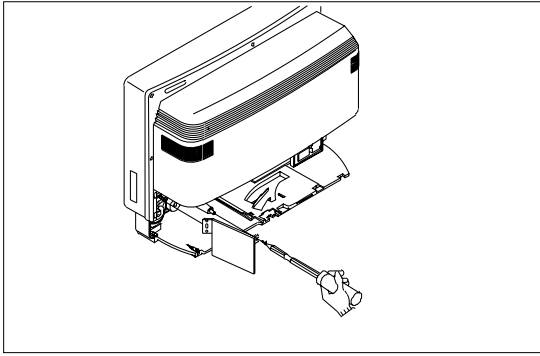
2. Loosen the 4 screws and remove the supporter.



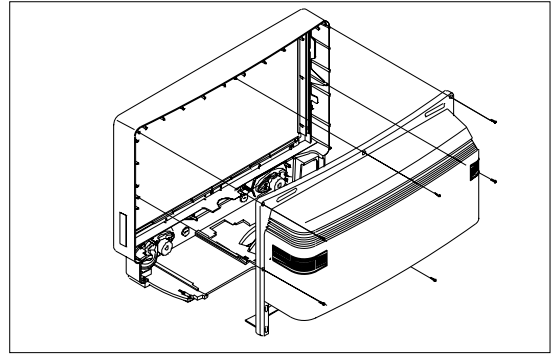
4. Loosen the 2 screws. Remove the optical meter.



6. After loosening the 2 screws, remove the chassis holder and power mounting.

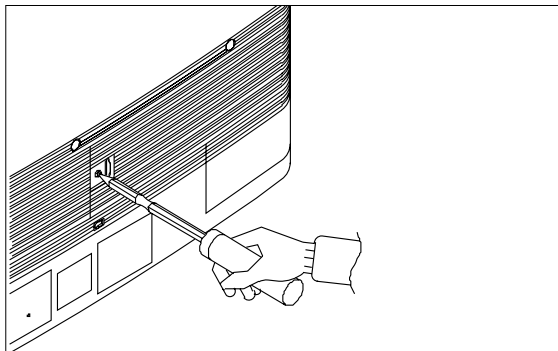


7. After removing the 6 screws, pull the top cabinet backwards.

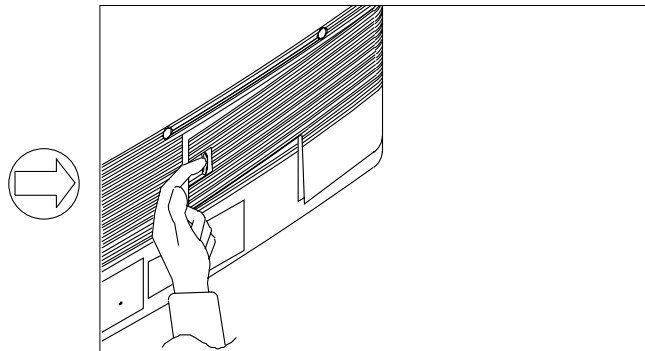


4-2 Lamp Replacement

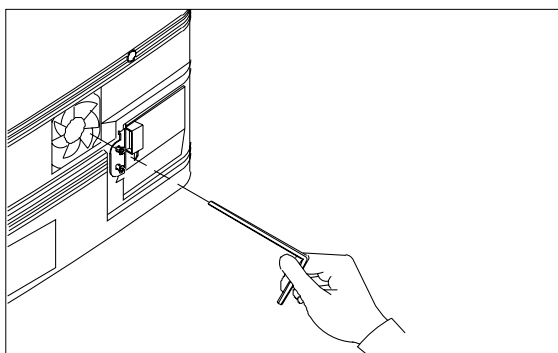
1. Loosen the screw.



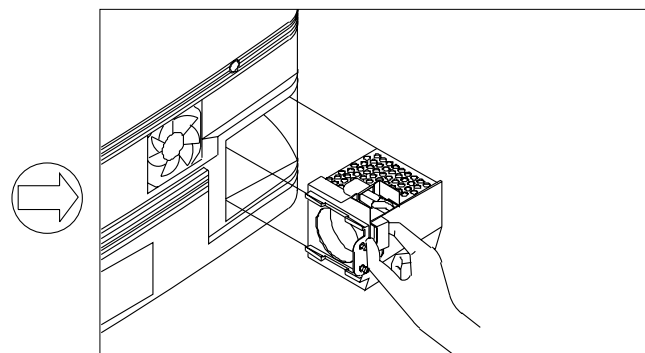
2. Remove the cover.



3. Using a hexagonal wrench, loosen the two screws that secure the lamp.



4. Pull out the lamp.



5. PROCEDURE

After completing the lamp replacement, enter the Service Mode

Press the remote control Keys in the following sequence:

“Display → P.STD → Mute → Power”

00 Lamp Total time (05999)
01 Lamp Life (05999)

(1) Select 01 (lamp life) with using the channel (▼) key, then press the volume (+) key (See the figure below).

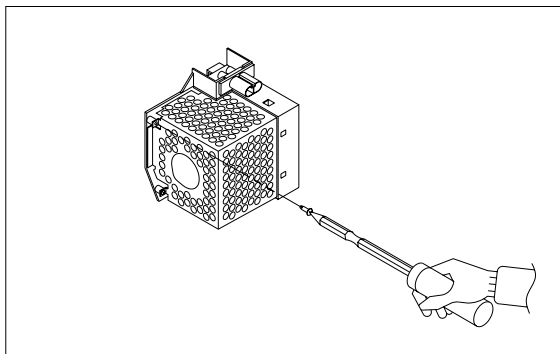
(2) Press the Cancel key to reset the lamp life (“00000”).

(3) Press the Power key to reset the factory value.

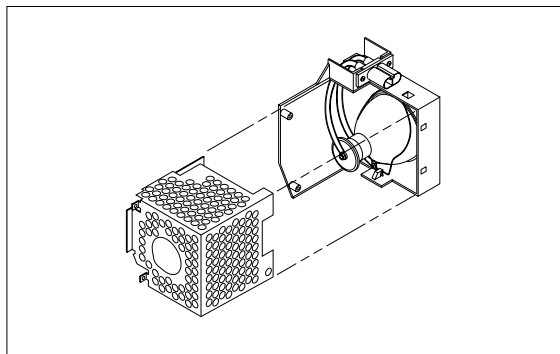
(4) Press the DISPLAY key to verify that the lamp use time is 0.

4-2-1 Lamp (Bulb only) Replacement

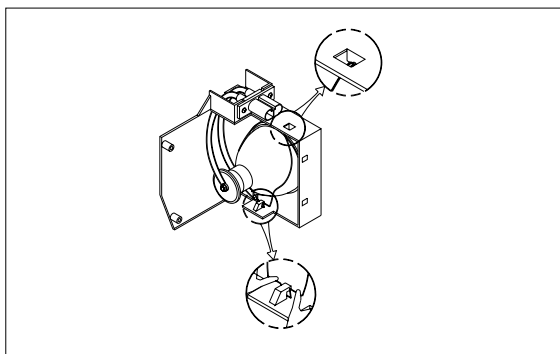
1. Loosen the two screws.



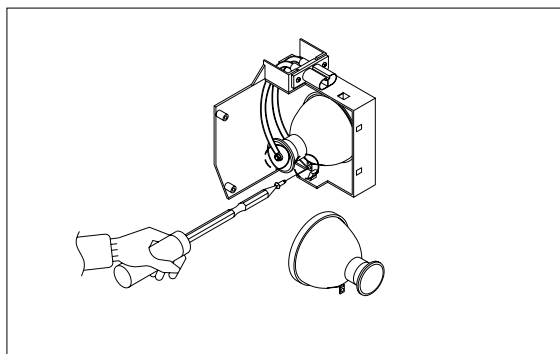
2. Remove the lamp-bracket from the lamp assembly.



3. After loosening the two brackets, remove the lamp-holder and wires.

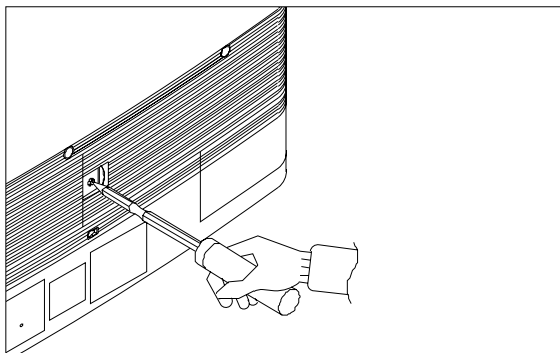


4. After loosening one screw and one nut, remove the bulb.

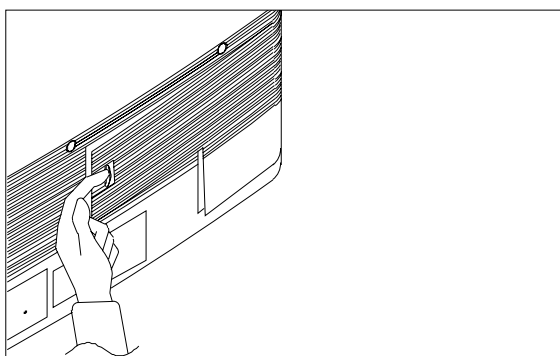


4-3 Air Filter Check

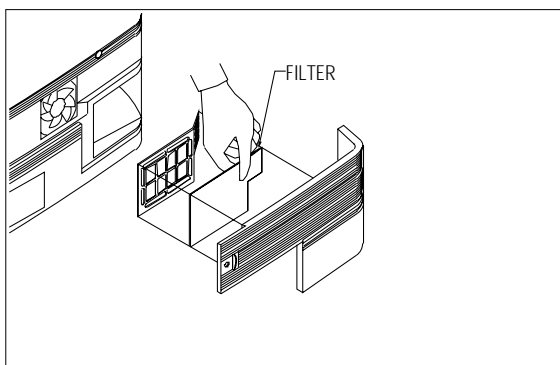
1. Loosen the screw.



2. Remove the cover.

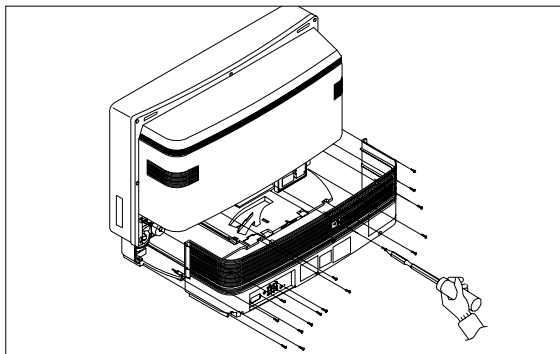


3. After removing the holder and filter from the cover, clean the filter.

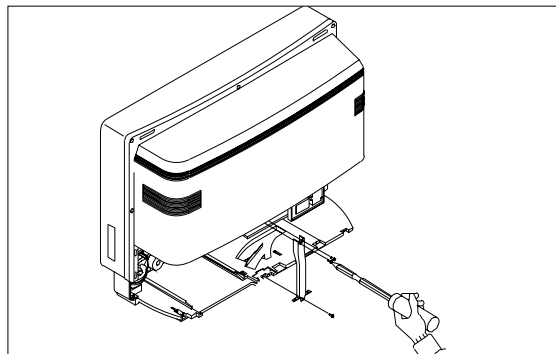


4-4 Liquid Crystal Panel Replacement

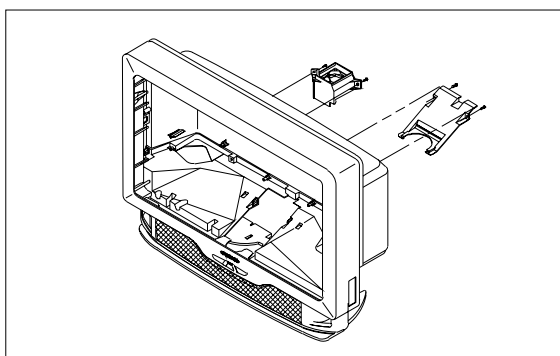
1. After removing the 16 screws, pull the cabinet backwards.



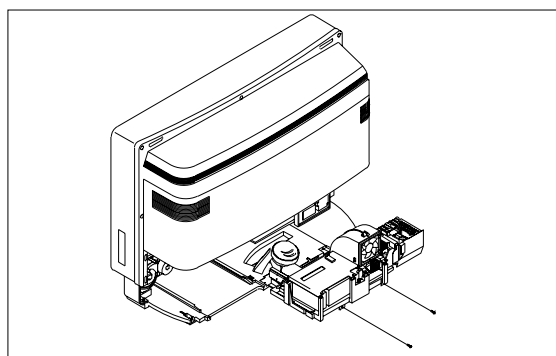
2. Loosen the 3 screws. Remove the supporter.



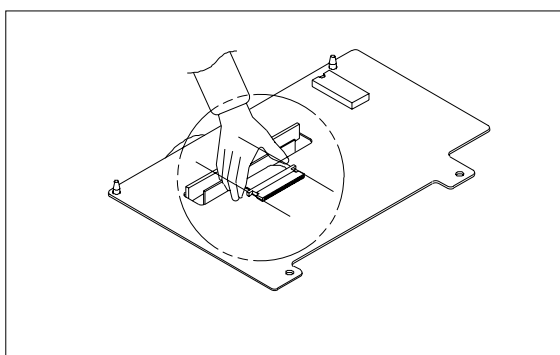
3. After loosening the 4 screws, remove the lens cover and fan duct.



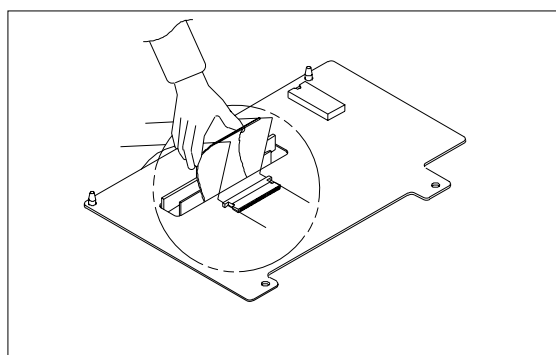
4. Loosen the 2 screws. Remove the optical meter.



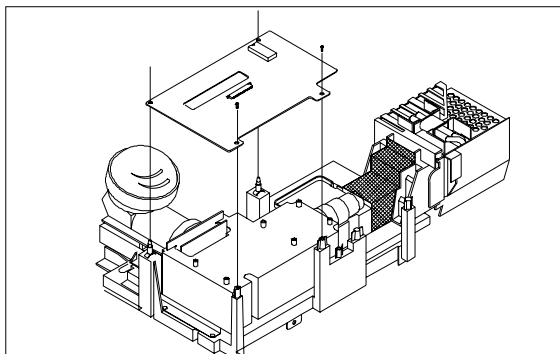
5. Remove the GUIDE from the FPC-Connector.



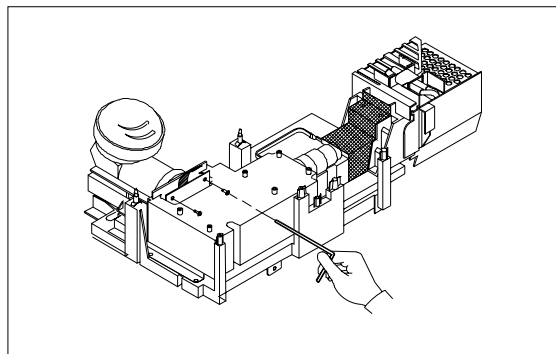
6. Remove FPC cable from the FPC-Connector.



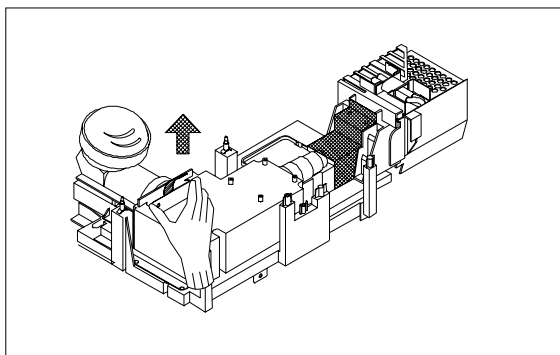
7. Loosen the 2 screws, 2 PCB spacers and remove the PCB-LCD.



8. Using a hexagonal wrench, loosen the two screws.



9. Lift the LCD in the direction of arrow.



4-5 Speaker Removal

1. Loosen the 4 screws and remove the speaker holders.

